

# OG6 200L/Min Oval Gear Meter



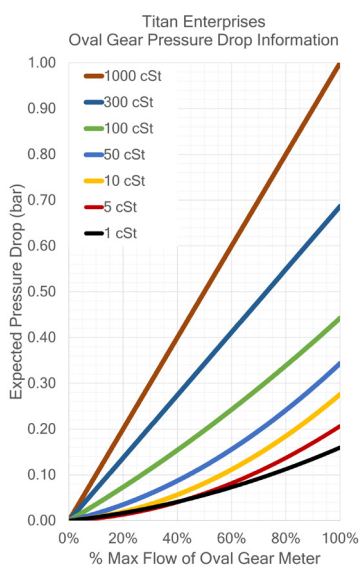
The rugged OG6 oval gear flowmeter is designed to give high performance with a low cost of ownership. It has a standard flow range from 2.0 to 200 L/min on 30 cSt oil and 10 to 200 L/min on water-like liquids. The standard inlet and outlet are 1½" female threads. For OEMs, alternatives are available, including manifold mountings. The standard models are 316 St St or Aluminium with Viton™ 'O' ring seals.

At the heart of the meter are a pair of toothed oval gears one of which contains chemically resistant magnets. Rotation is detected through the chamber wall by a Hall effect detector or a reed switch giving approximately 21 pulses per litre passed. The output is an NPN pulse or a voltage free contact closure either of which is readily interfaced with most electronic display or recording devices. This combination of materials and technology ensures a long life product with reliable, accurate operation throughout.



## IDEAL FOR

- Engine test
- Oil flow
- High viscosity liquids
- OEM equipment
- Hazardous areas
- Batching



## FEATURES

- Excellent chemical resistance
- Rugged construction
- Individual calibration
- High viscosity options
- Low pressure drop
- No flow conditioning required
- Hall, reed switch or Namur sensor
- Accuracy 1.0% reading water  
0.5% reading oil (30 cSt)
- 0.1% repeatability
- IP65/NEMA 4 protection
- Models to 400 bar

# OG6 200L/Min Oval Gear Meter



## TECHNICAL SPECIFICATIONS

Sample product codes	Stainless standard OG6-SS5-VHP-B	Aluminium standard OG6-AS1-VHP-B
Flow range	- Water - 30 cSt Oil 10 - 200 L/min 2.0 - 200 L/min	10 - 200 L/min 2.0 - 200 L/min
Wetted materials	- Body - Gears - Seal - Magnet - Spindles 316 St St Carbon filled PEEK Viton™ PTFE St St	Aluminium Carbon filled PEEK Viton™ PTFE St St
Accuracy	- Water - 30 cSt oil ± 1.0% Reading ± 0.5% Reading	± 1.0% Reading ± 0.5% Reading
Repeatability	± 0.1%	± 0.1%
Detector Type	Hall effect	Hall effect
Terminations	Terminal block P65 cable gland	Terminal block P65 cable gland
Approx 'K' factor (Pulses/Litre)	21	21
Viscosity Range <sup>^</sup>	1-1000 cSt	1-1000 cSt

<sup>^</sup> High viscosity (above 1000 cSt) options available

## Ordering Codes

### Model

OG6

### Body Material

S = 316 St St 50 bar std

A = Aluminium 10 bar max

### Temp Rating

S = 80°C / 158°F

T = 100°C / 212°F

U = 150°C / 300°F

### Pressure Rating

5 = 50 bar 750 PSI (St St)

1 = 10 bar 150 PSI (Al)

4 = 400 bar 5880 PSA (St St)

### Seal Material

V = Viton™

N = Nitrile

E = EPDM

P = PTFE (50 bar max)

K = Kalrez®

### Detector Type

H = Hall effect

R = Reed switch & Resistor

N = Namur

X = Reed switch (hazardous area)

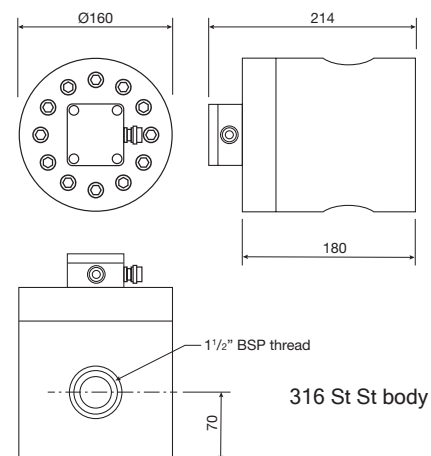
### Process Fitting Size

P = 1 1/2" (OG6 std)

### Process Fitting Type

B = BSP F

N = NPT F



e.g. **OG6-SS5-VHP-B** is a stainless steel meter rated at 80°C, 50 bar, Viton™ seal, Hall effect detector and a 1 1/2" BSP thread.

**TITAN ENTERPRISES LTD.**

**Coldharbour Business Park, Sherborne, Dorset DT9 4JW**

Tel: **(44) 01935 812790**

Email: **sales@flowmeters.co.uk**

Web: **www.flowmeters.co.uk**

### Weight (kg)

St St	50 bar	8.000
AL	10 bar	6.000
St St	400 bar	12.000

For reference only; for latest information contact your local distributor.