

Electronic dosing pump LMI series J5



J5 series

- Adjustable stroke frequency: 5 to 100 spm
- Adjustable stroke length: 0 to 100%
- Recommended minimum:
20% for J55L - J56L
30% for J54L
- External proportional control: voltage free contact closure from water meter or pulse generator.

Main technical specifications

- Mechanically actuated diaphragm electromagnetic pump
- Maximum output: 7.6 l/h
- Maximum pressure: 9.7 bar
- Maximum temperature of pumped chemical: 50 °C
- Self priming height: 1.5 m
- Accuracy: $\pm 2\%$ of adjusted output
- Supply: 12 V DC, 9 A maxi
- Average power: 19 Wh maxi

Simple rugged construction

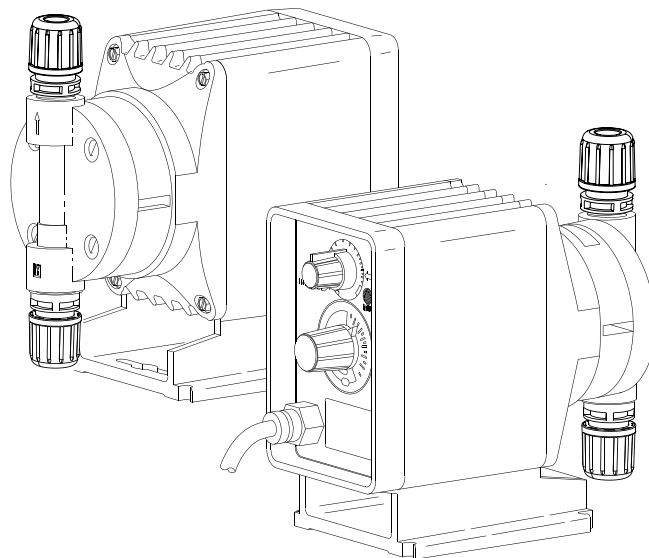
- Thick wall glass fiber or carbon fiber reinforced thermoplastic construction plus integrated metal-plastic structural and magnetic components result in vibration and shock resistance not ordinarily found in competitive products.
- Strong automotive type wire and electrical connectors add to its construction strength.

Unique features

- Uses LMI's unique molded long life Electromagnetic Power Unit (EPU) with electromagnetically balanced construction.
- Clog resistant injection check valves with flexible flapper nozzle are standard.
- LMI's unique 4-Function Valve or multifunction Auto-Bleed Valve are low cost options.

Wide variety of applications

- Pump head and valves in PVC, PVDF, Acrylic or 316L S.S. plus designs for high viscosity polymer.
- Ceramic balls and Aflas or PTFE seats.
- Composite pump diaphragms of the superior Fluorofilm® assure reliable and leak free operation in a wide variety of chemicals.



Electronic dosing pump LMI series J5

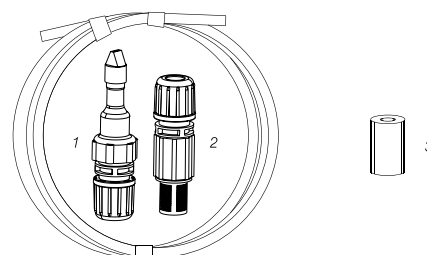
Totally enclosed corrosion resistant IP65

- O-Ring sealed corrosion resistant enclosure of glass fiber reinforced polypropylene protects the pump from harsh chemicals and tough environments.

Complete with accessories

- LMI J5 dosing pumps come complete with:
 1. injection check valve,
 2. foot valve,
 3. ceramic weight.
- Most models are also available with factory tubing.

ACCESSORIES



All pumps come complete with these accessories.

Specifications

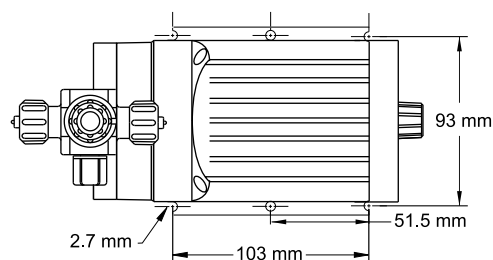
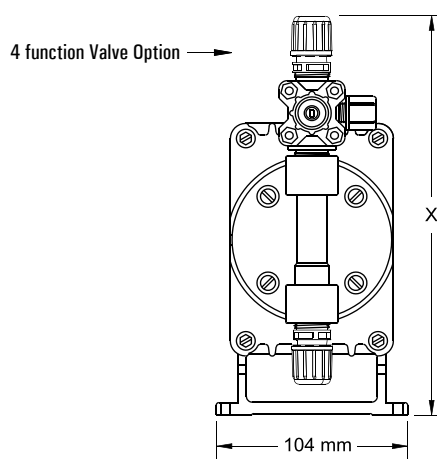
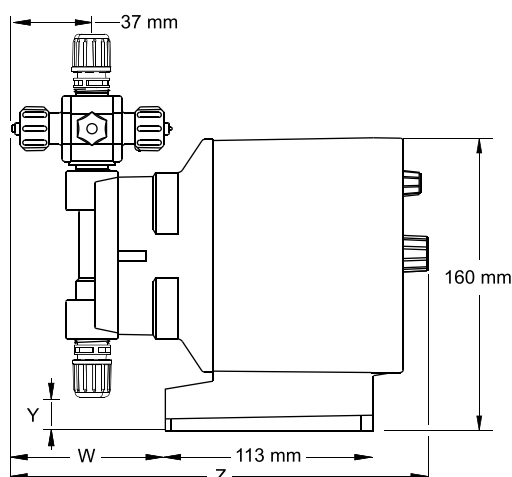
Model	Output (l/h) max.	Pressure (bar) max.	Liquifram size (inch ²)	Stroke capacity (ml)		Frequency (spm)		Liquid end body / seats material						Tubing connections	
				min.	max.	min.	max.	PVC/Aflas	PVDF/Aflas	PVDF/PTFE	Acrylic/Aflas	316L/PTFE ⁽¹⁾	High visc. ⁽²⁾	Inch	Metric
J54L	1.6	9.7	0.5	0.08	0.27	5	100	358XY	352XY	353XY	350XY	257	155HV	.250"OD	3x6 mm
J55L	3.8	4.1	0.9	0.13	0.63	5	100	398XY	392XY	393XY	390XY	297	85HV	.375"OD	6x8 mm
J56L	7.6	1.4	1.8	0.25	1.26	5	100	368XY	362XY	363XY	360XY	277	75HV	.375"OD	6x8 mm

⁽¹⁾ 1/4" NPTm connection

⁽²⁾ .500"OD / 15x23

X	Y	Refer to liquid end chart for complete option code
	↓	
	0	Pipe thread 1/2" BSP
	2	Inch tubing
	3	Metric tubing
	4	Reinforced PVC tubing 6x12
B		Bleed 4 function valve included
N		No function valve
S		4 function valve included
T		3 function valve included

Dimensions



Dimensions	W	X	Y	Z
Pump without function valve	51	181	11	198
Pump with function valve	79	226	11	218
Pump with stainless steel head	44	171	20	191
High viscosity pump	59	205	16	206
Packing:	275 x 225 x 165 mm		Gross Weight: 3.5 kg	



A network of over 100 distributors and sales and service offices.

To find your local representative, visit our website:

www.miltonroy-europe.com