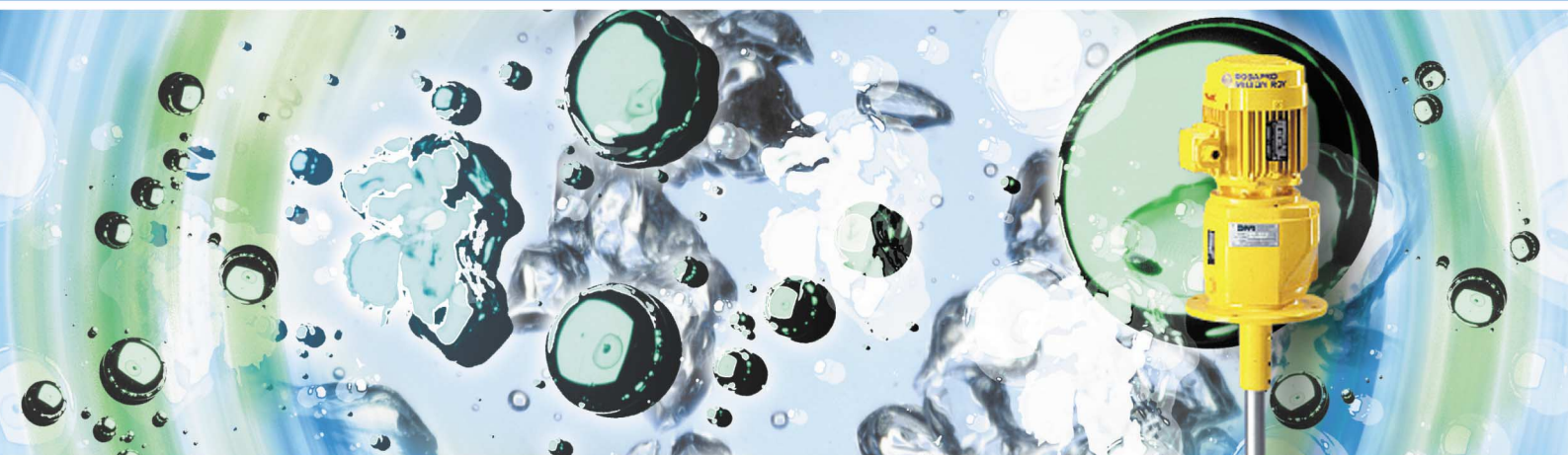


HELISEM® RANGE

VR SERIES MIXERS

Open tanks from 0,5 to 200 m³ – Atmospheric pressure – Temperature up to 90°C



TYPE VRG

General characteristics

- Agitators provided with a gear drive motor
- Hydrofoil Sabre® impeller with high hydraulic output

Capacities

- From 0,5 to 200 m³ approximately

Operating conditions

- Atmospheric Pressure
- Temperature up to 90°C

Main applications

Water treatment:

- Homogenization
- Additives preparation
- Suspension
- Flashmixing

Other industries:

- Dissolution
- Heat transfer
- Storage
- Dissolution

Construction materials

- Stainless steel 316L
- Painting PU : RAL 1018 on the drive system
(please consult us for any other material)

Electric characteristics

- 230/400 V three-phase
- 50 Hz
- IP 55
(please consult us for any other voltage or frequency)

Options (depending on mixer type)

- Special motors
- Drive ADF, ATEX
- Variable speed drive
- Second impeller

A robust construction

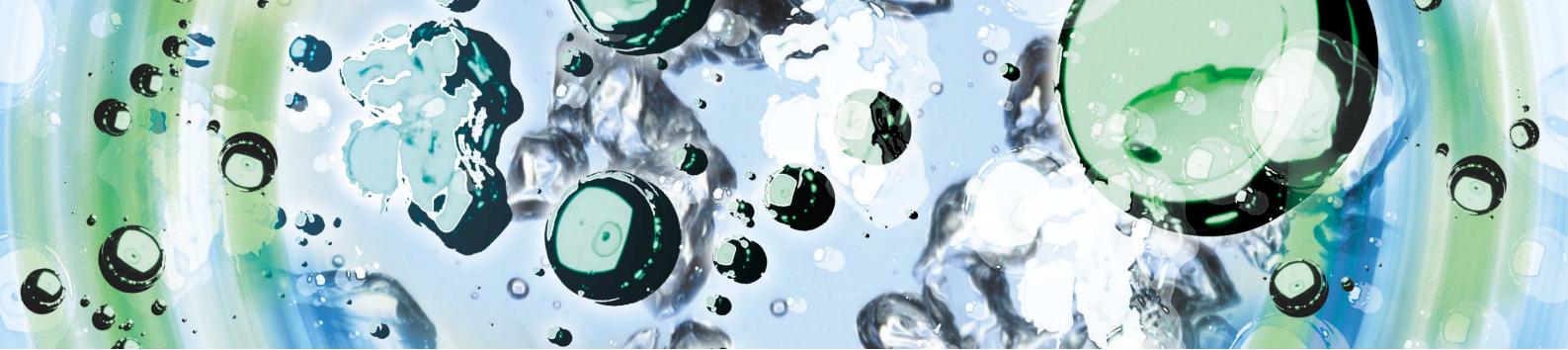
- Allowing a reduced maintenance
- Rotation during filling and draining allowed

Operational limits

- Viscosity < 100 mPas
- Density < 1,2
- Not recommended for the gas-liquid environments
(please consult us for any other viscosity or density)



MILTON ROY
Mixing

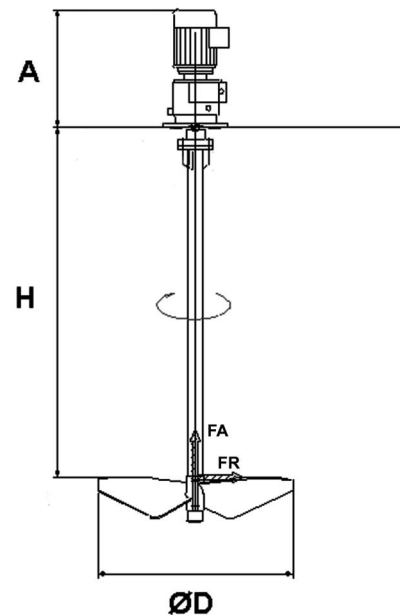
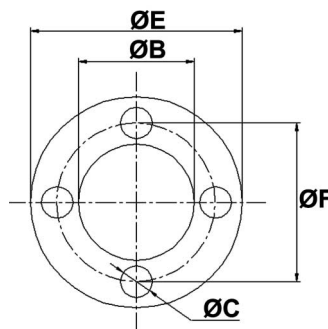


SPECIFICATIONS

Type	Rated power (kW)	Rotation speed (rpm)	Maximum height (mm) H	Propeller diameter (mm) D	Propeller flowrate (m³/h)	Weight (Kg)	Axial Load (DaN)	Torque (DaNm)
0021S	0.37	184	1500	200	95	26	1	1.9
1041S	0.55	158	1500	400	650	4	15	3.3
2031S	0.75	293	1500	300	509	40	16	2.4
3061S	1.1	99	2000	600	1379	49	29	10.6
5082S	2.2	95	2100	800	3135	95	81	22
5101S	2.2	69.3	1900	1000	4450	124	103	30.3
7121S	4	63.7	2300	1200	7065	198	176	60
8141S	5.5	53.3	2700	1400	9391	324	226	98.5
9161S	7.5	47.7	2700	1600	12549	465	306	150.2
9182S	7.5	39.7	3800	1800	14868	556	338	180.4

DIMENSIONS (MM)

Type	A	B	C	E	F
0021S	370	130	11	200	165
1041S	387	180	13.5	250	215
2031S	398	130	11	200	165
3061S	417	180	13.5	250	215
5082S	516	180	13.5	250	215
5101S	546	230	13.5	300	265
7121S	599	250	17.5	350	300
8141S	701	250	17.5	350	300
9161S	91	350	17.5	450	400
9182S	91	350	17.5	450	400



Extract of the range, please consult us for any other request.

DOSAPRO MILTON ROY

DOSAPRO MILTON ROY
10, Grande Rue
27360 PONT SAINT PIERRE
FRANCE
Tel : +33 (0) 2.32.68.30.00
Fax : +33 (0) 2.32.68.30.93
www.dosapro.com

UNITED KINGDOM – MILTON ROY UK, LTD
Oaklands Business Centre, Oaklands Park,
Wokingham Berkshire RG 41 2FD
Tel : +44 118 977 1066 Fax : +44 118 977 1198
www.miltonroyumps.co.uk

ESPAÑA - DOSAPRO MILTON ROY IBERICA
C/ Embajadores, 100 – 28012 Madrid
Tel : +34 (91) 517 80 00 Fax : +34 (91) 517 52 38
www.dosapro.es

ITALIA – MILTON ROY ITALIA
Centro Direzionale Colleoni, palazzo andromeda ingresso 1,
via paracelso 16, 20041 Agrate Brianza (MI)
Tel : +39 039 605 68 91 Fax : +39 039 605 69 06
www.miltonroy.it

MILTON ROY Mixing

MILTON ROY MIXING
10, rue du bois Gasseau BP N°94
77212 AVON Cedex
FRANCE
Tel : +33 (0) 1.60.74.95.20
Fax : +33 (0) 1.60.74.95.29
www.miltonroymixing.com