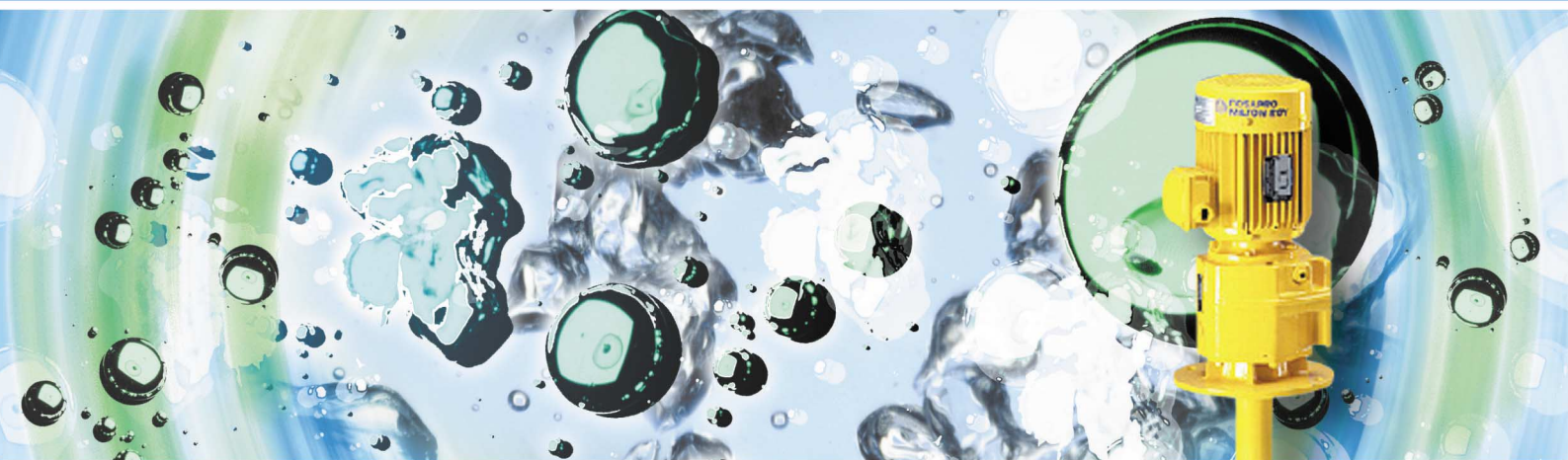


# HELISEM® RANGE

## VR SERIES MIXERS

Open tanks from 0,5 to 20 m<sup>3</sup> – Atmospheric pressure – Temperature up to 90°C



## TYPE VRP

### General characteristics

- Agitator pulled by a gear drive motor
- Lower shaft provided with a 4 pitched blade turbine
- Rated power from 0,25 to 1,5 Kw
- Appropriate for tanks of low volume

### Capacities

- From 0.5 to 20 m<sup>3</sup> approximately

### Operating conditions

- Atmospheric Pressure
- Temperature up to 90°C

### Main applications

- Homogenization
- Dissolution
- Preparation of reagents
- Neutralization

### Construction materials

- Stainless steel 316L
- Painting PU : RAL 1018 on the driving system (please consult us for any other material).

### Electric characteristics

- 230/400 V three-phase
- 50Hz
- IP 55  
(please consult us for any other voltage or frequency)

### Options (depending on mixer type)

- Special motors
- Particular coating
- Second impeller

### A robust construction

- Allowing a reduced maintenance
- Rotation during filling and draining allowed.

### Operational limits

- Maximum viscosity of 100mPas
- Density < = 1,1  
(please consult us for any other viscosity or density)



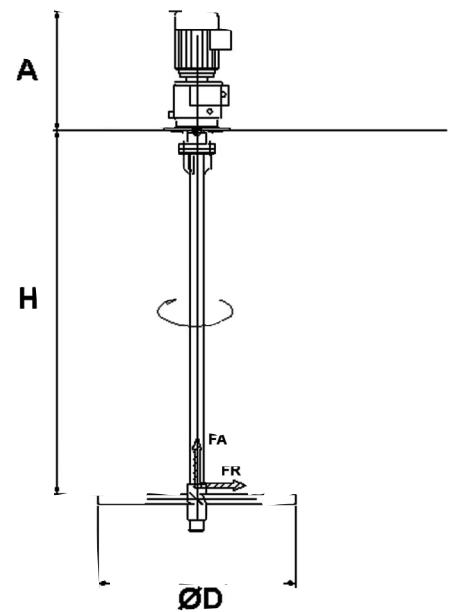
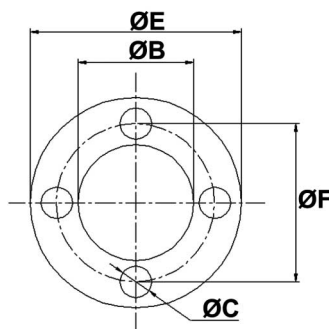
**MILTON ROY**  
**Mixing**

## SPECIFICATIONS

Type	Rated power (kW)	Rotation speed (rpm)	Maximum height (mm) H	Propeller diameter (mm) D	Propeller flowrate (m <sup>3</sup> /h)	Weight (Kg)	Axial load (DaN)	Torque (DaNm)
0021S	0.25	103	1300	200	46	15	28	2.3
0031S	0.37	126	1300	350	174	25	33.4	2.8
0051S	0.37	97	2000	500	545	51	10.4	3.6
1051S	0.55	100	1500	500	281	28	63.6	5.3
2061S	0.75	99	2500	600	955	56	18.5	7.2
3051S	1.1	137	1750	550	750	48	14.51	15
4071S	1.5	102	1900	700	1349	125	70.8	14
4072S	1.5	96	2500	700	1469	87	35	14.9
4081S	1.5	73	2500	800	1683	88	59	19.6
5081S	2.2	100	2000	800	1728	125	105.9	21
6081S	3	96	2000	800	2201	89	69.2	29.8

## DIMENSIONS (MM)

Type	A	B	C	E	F
0021S	355	110	9	160	130
0031S	425	130	11	200	165
0051S	370	130	11	200	165
1051S	425	130	11	200	165
2061S	398	130	11	200	165
3051S	525	180	13,5	250	215
4071S	555	230	14	300	265
4072S	470	180	13,5	250	215
4081S	470	180	13,5	250	215
5081S	645	250	18	350	300
6081S	516	180	13,5	250	215



Please consult us for any other request.

**DOSAPRO MILTON ROY**

DOSAPRO MILTON ROY  
10, Grande Rue  
27360 PONT SAINT PIERRE  
FRANCE  
Tel : +33 (0) 2.32.68.30.00  
Fax : +33 (0) 2.32.68.30.93  
www.dosapro.com

UNITED KINGDOM – MILTON ROY UK, LTD  
Oaklands Business Centre, Oaklands Park,  
Wokingham Berkshire RG 41 2FD  
Tel : +44 118 977 1066 Fax : +44 118 977 1198  
[www.miltonroyumps.co.uk](http://www.miltonroyumps.co.uk)

ESPAÑA - DOSAPRO MILTON ROY IBERICA  
C/ Embajadores, 100 – 28012 Madrid  
Tel : +34 (91) 517 80 00 Fax : +34 (91) 517 52 38  
[www.dosapro.es](http://www.dosapro.es)

ITALIA – MILTON ROY ITALIA  
Centro Direzionale Colleoni, palazzo andromeda ingresso 1,  
via paracelso 16, 20041 Agrate Brianza (MI)  
Tel : +39 039 605 68 91 Fax : +39 039 605 69 06  
[www.miltonroy.it](http://www.miltonroy.it)

**MILTON ROY Mixing**

MILTON ROY MIXING  
10, rue du bois Gasseau BP N°94  
77212 AVON Cedex  
FRANCE  
Tel : +33 (0) 1.60.74.95.20  
Fax : +33 (0) 1.60.74.95.29  
www.miltonroymixing.com