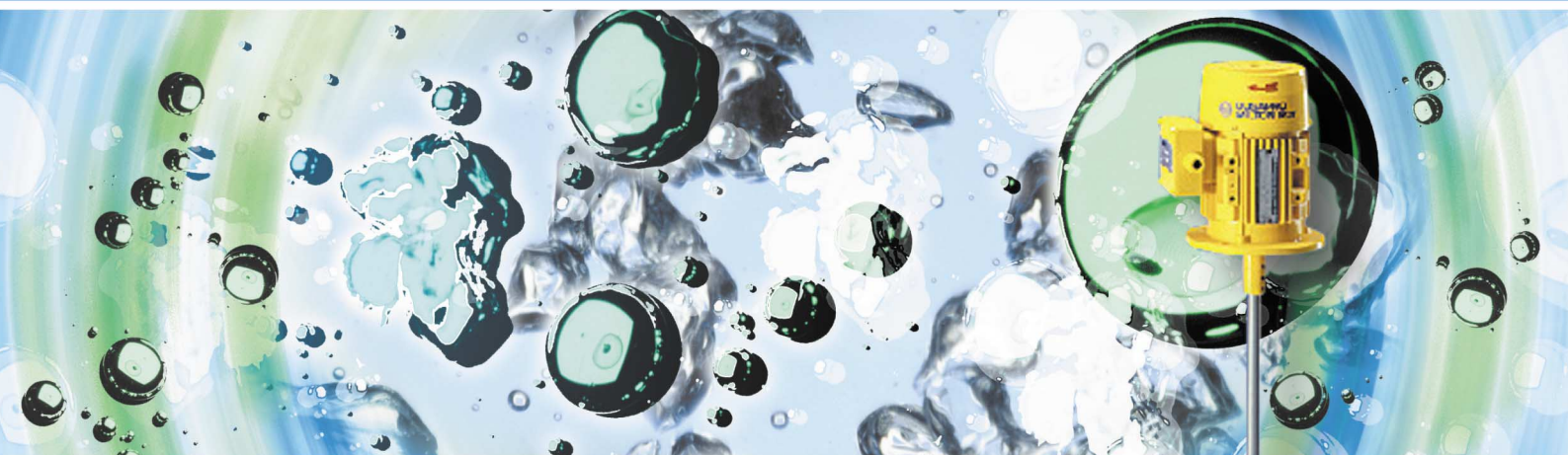


HELISEM® RANGE

VD SERIES MIXERS

Open tanks from 0,5 to 5 m³ – Atmospheric pressure – Temperature up to 70°C



TYPE VDA

General characteristics

- Agitator with direct drive
- Lower shaft provided with a marine impeller
- Rated power from 0,25 to 1,5 kW

Capacities

- From 0.5 to 5 m³ approximately

Operating conditions

- Atmospheric pressure
- Temperature up to 70°C

Main applications

- Homogenization
- Dissolution
- Preparation of reagents
- Neutralization

Construction materials

- Stainless steel 316L
- Painting PU : RAL 1018 on the drive system
(please consult us for any other material)

Electric characteristics

- 230/400 V three-phase
- 50 Hz
- IP 55
(other voltage and frequency, please consult us)

Options (depending on mixer type)

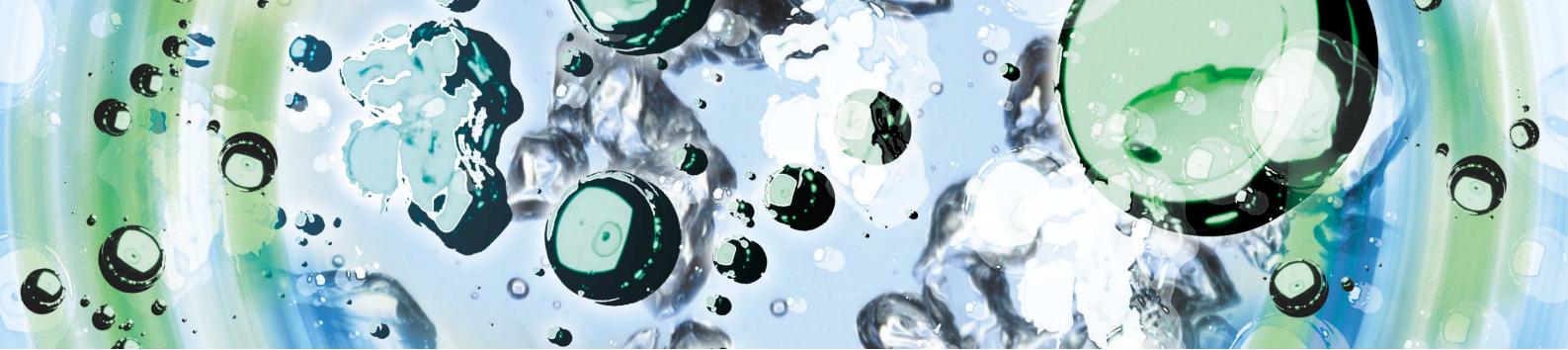
- Special motors
- Halar coating
- Second impeller

Operational limits

- Operation prohibited during draining
- Not recommended for products sensitive to shearing
- Maximum viscosity of 500 mPas
- Density <= 1,2



MILTON ROY
Mixing



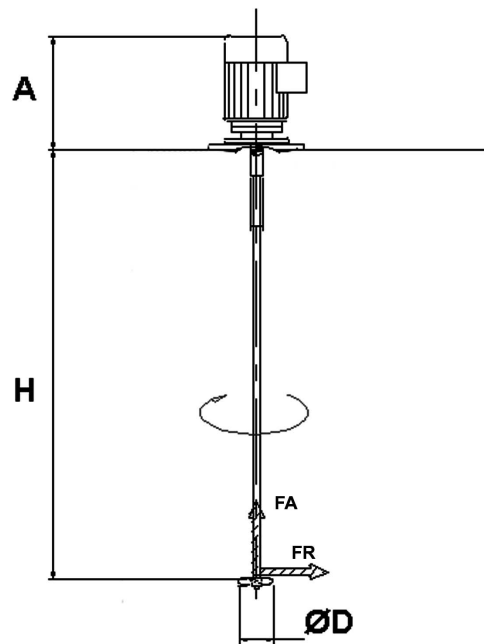
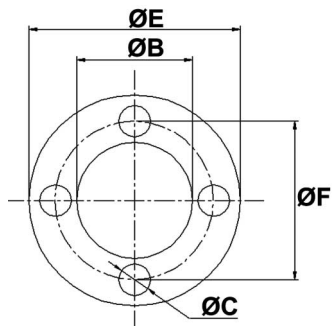
SPECIFICATIONS

Type	Rated power (kW)	Rotation speed (rpm)	Maximum height (mm) H	Propeller Diameter (mm) D	Propeller Flowrate (m³/h)	Weight (Kg)	Axial load (DaN)	Torque (DaNm)
1210S	0.25	1500	1000	80	52	10	10	0.2
2210S	0.25	1500	1000	128	104	10	10	0.2
2110S	0.25	750	1000	128	52	12	12	0.3
2520S	0.75	1500	1250	128	104	14	14	0.5
4310S	0.37	750	1000	160	101	19	19	0.5
4630S	1.5	1500	1500	160	203	20	38	1

The minimum height of the liquid at the top of the impeller might be 300 mm.
It is necessary to respect a distance of 150 mm between the flange and the level of the liquid.

DIMENSIONS (MM)

Type	A	B	C	E	F
1210S	250	110	9	160	130
2210S	250	110	9	160	130
2110S	285	130	11	200	165
2520S	285	130	11	200	165
4310S	300	130	11	200	165
4630S	320	130	11	200	165



Please consult us for any other request.

DOSAPRO MILTON ROY

DOSAPRO MILTON ROY
10, Grande Rue
27360 PONT SAINT PIERRE
FRANCE
Tel : +33 (0) 2.32.68.30.00
Fax : +33 (0) 2.32.68.30.93
www.dosapro.com

UNITED KINGDOM – MILTON ROY UK, LTD
Oaklands Business Centre, Oaklands Park,
Wokingham Berkshire RG 41 2FD
Tel : +44 118 977 1066 Fax : +44 118 977 1198
www.miltonroypumps.co.uk

ESPAÑA - DOSAPRO MILTON ROY IBERICA
C/ Embajadores, 100 – 28012 Madrid
Tel : +34 (91) 517 80 00 Fax : +34 (91) 517 52 38
www.dosapro.es

ITALIA – MILTON ROY ITALIA
Centro Direzionale Colleoni, palazzo andromeda ingresso 1,
via paracelso 16, 20041 Agrate Brianza (MI)
Tel : +39 039 605 68 91 Fax : +39 039 605 69 06
www.miltonroy.it

MILTON ROY Mixing

MILTON ROY MIXING
10, rue du bois Gasseau BP N°94
77212 AVON Cedex
FRANCE
Tel : +33 (0) 1.60.74.95.20
Fax : +33 (0) 1.60.74.95.29
www.miltonroymixing.com